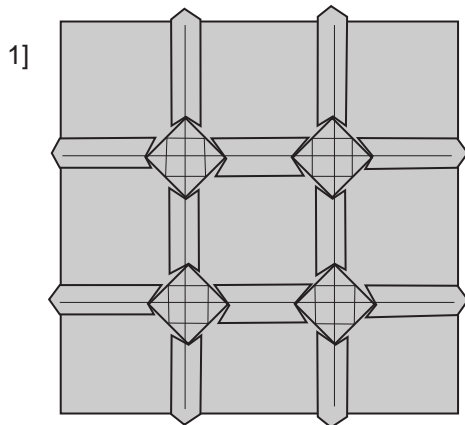
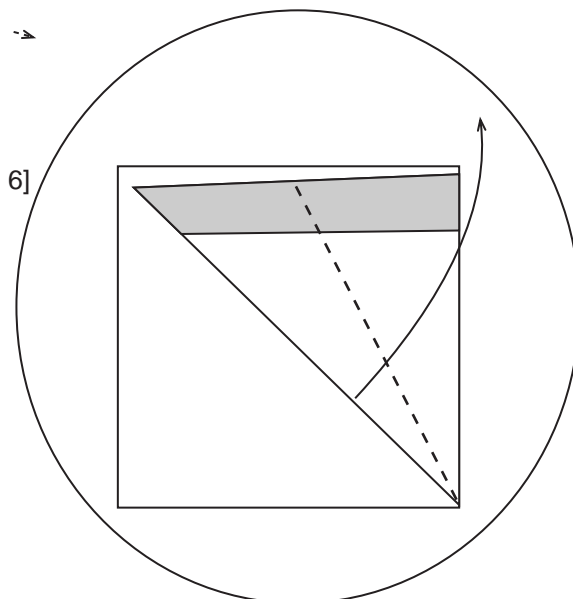
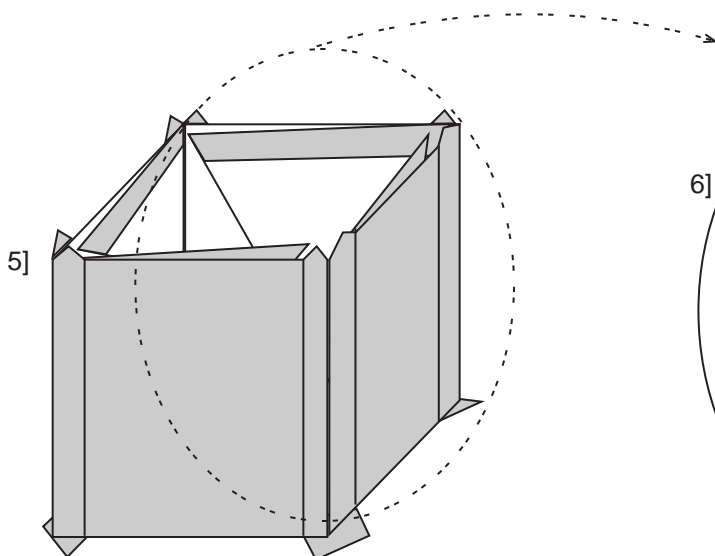
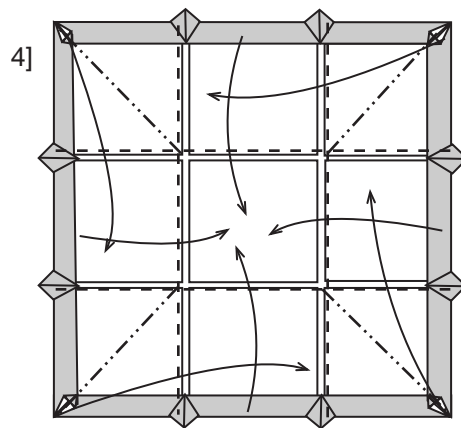
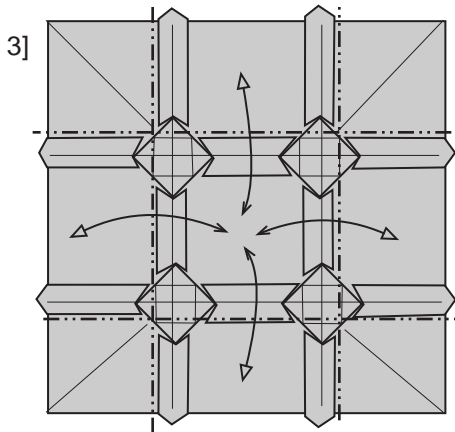
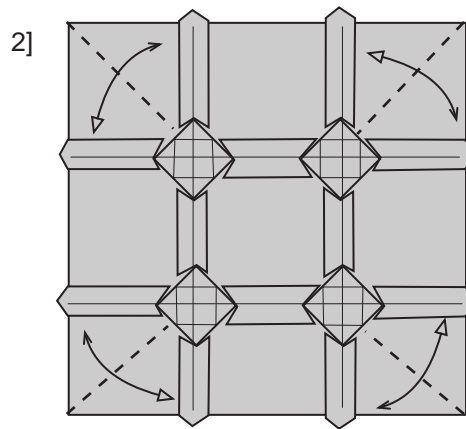


Variations on the Fancy Model Stand Theme

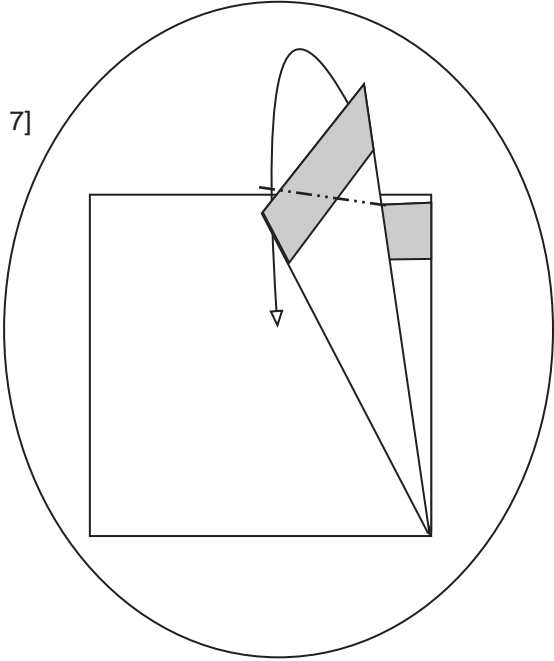
created/diagrammed by A.A.Fehl



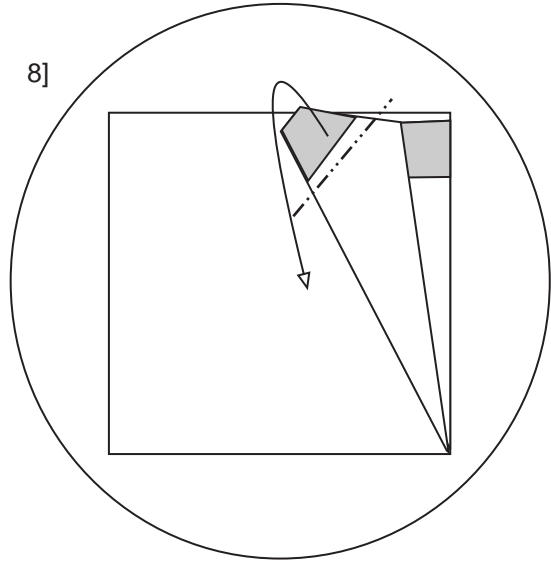
Begin with the completed Tic-Tac-Toe Board.



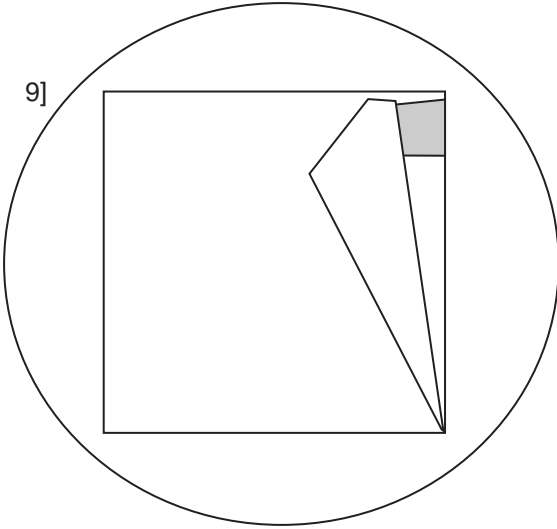
7]



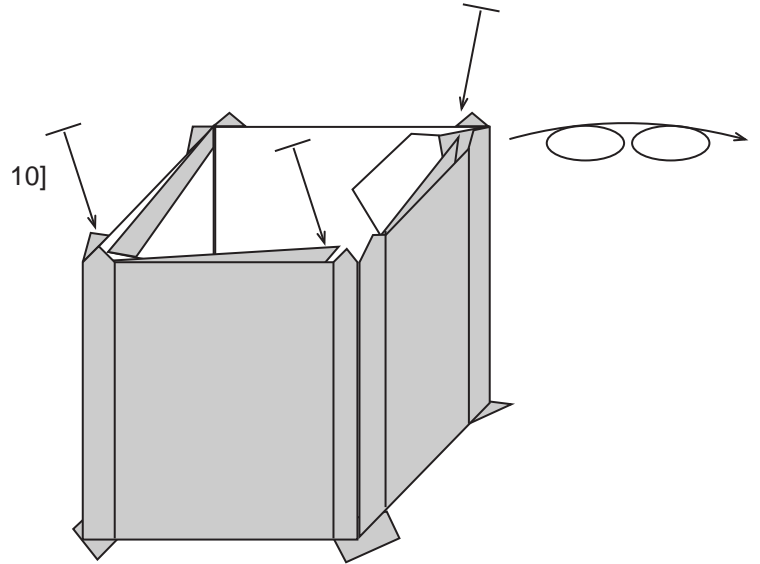
8]



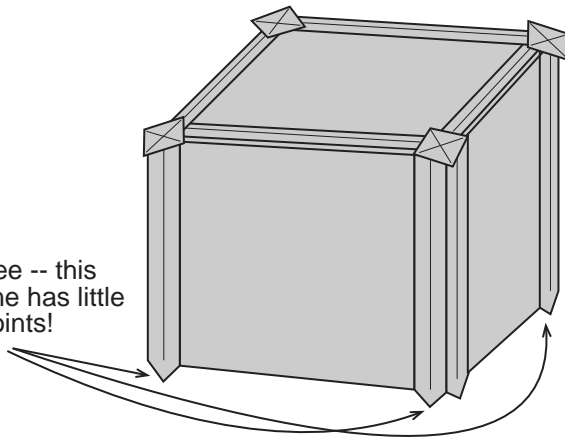
9]



10]



See -- this one has little points!



JacAlArt ©1997

Fancy Model Stand 2