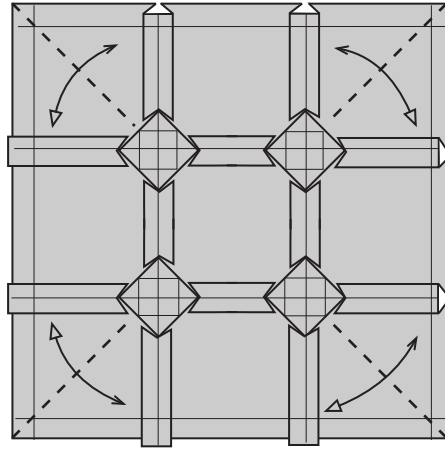
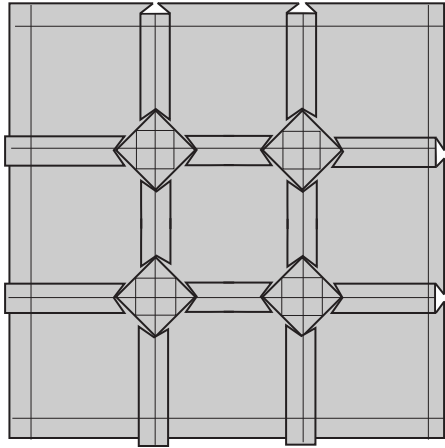
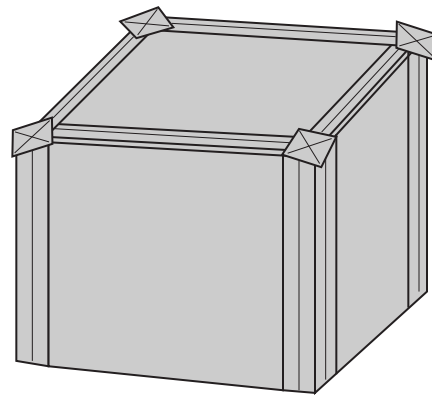
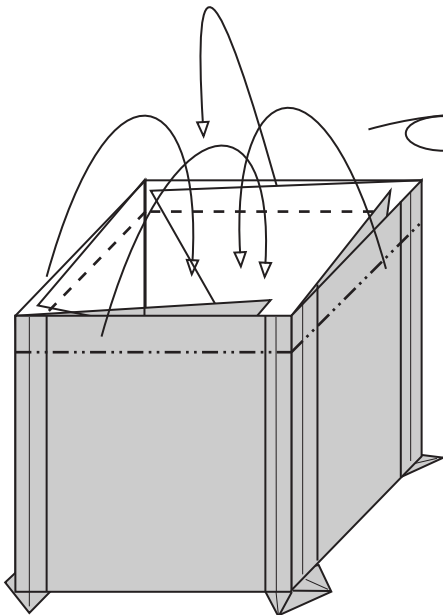
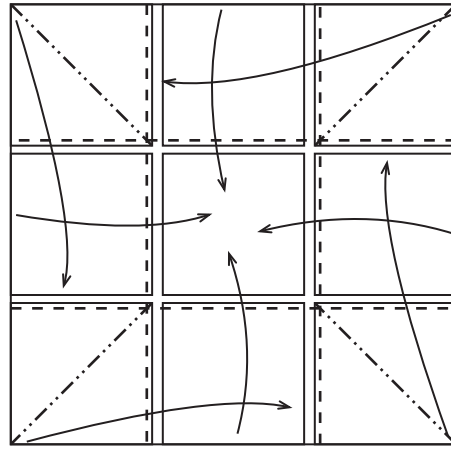
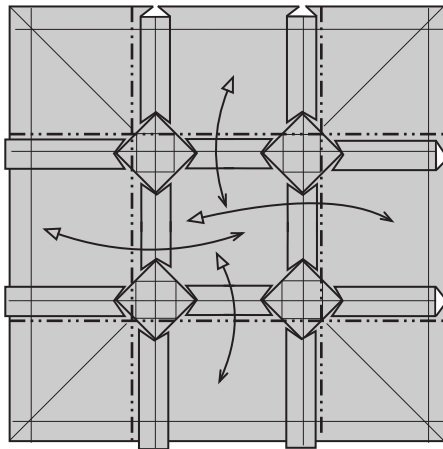


Fancy Model Stand

created/diagrammed by A.A.Fehl



Begin with step #28 of the Tic-Tac-Toe Board.



JacAI Art ©1997

Fancy Model Stand

