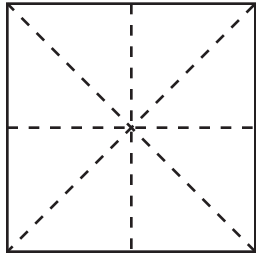
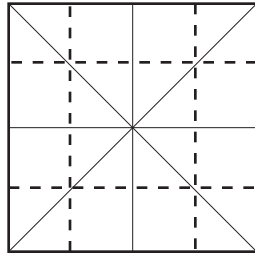


# Guitar Amp

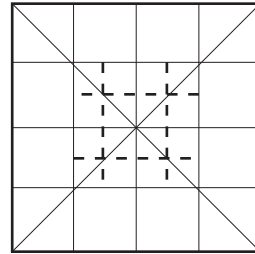
designed/diagrammed by Alec Fehl 7/26/00



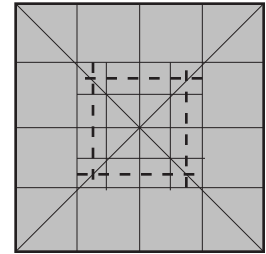
1] Crease.



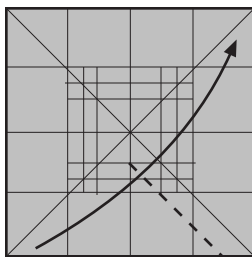
2] More creases.



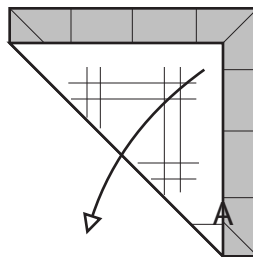
3] More creases.  
Flip over.



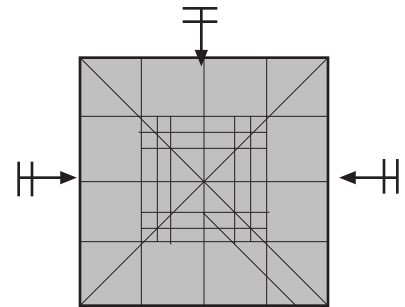
4] More creases.



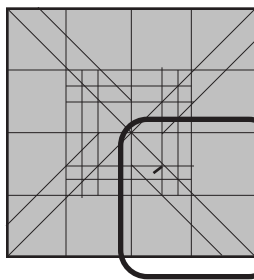
5] Crease. See next step for landmark.



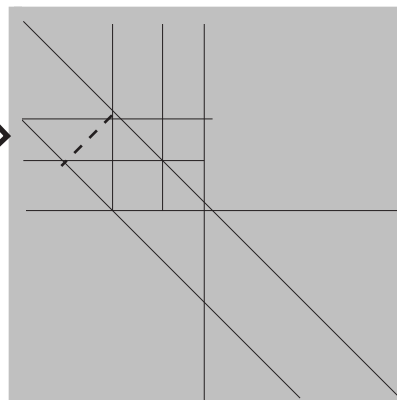
6] Note two creases meet at point A.



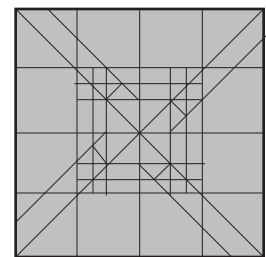
7] Repeat step 5-6 on other 3 corners.



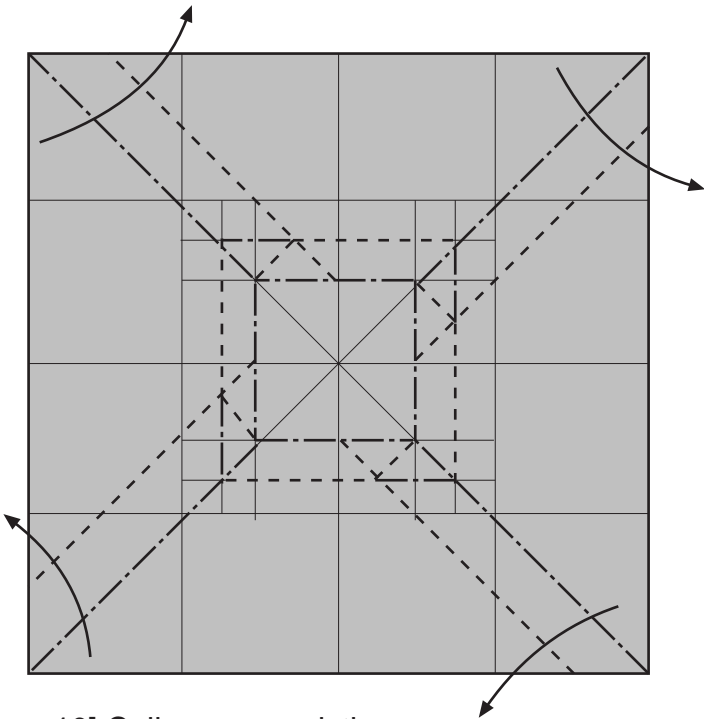
8a] Enlarge...



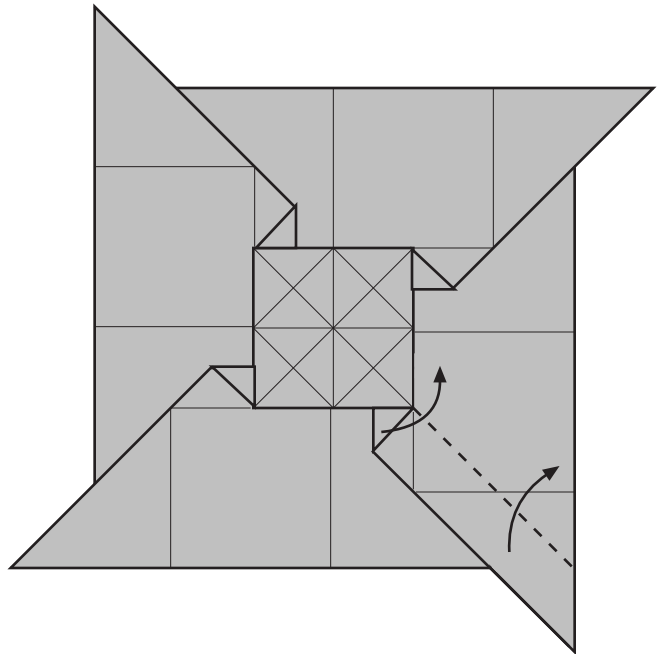
8b] Tiny valley crease.



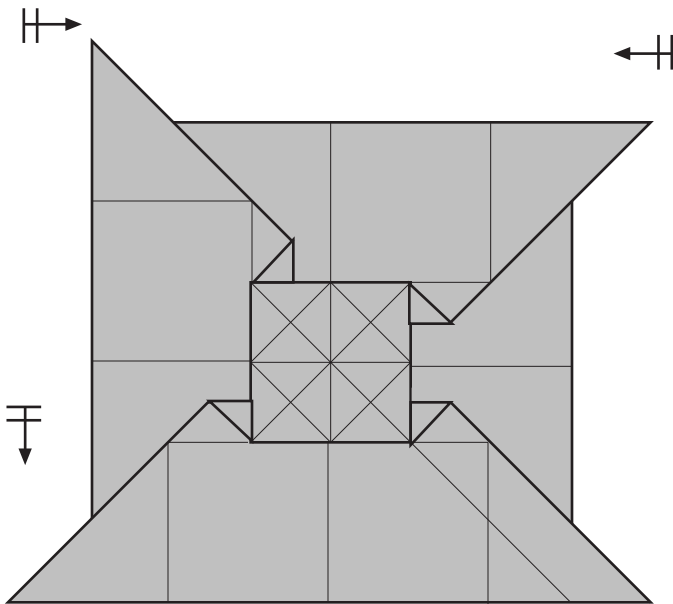
9] Repeat on other 3 sides.



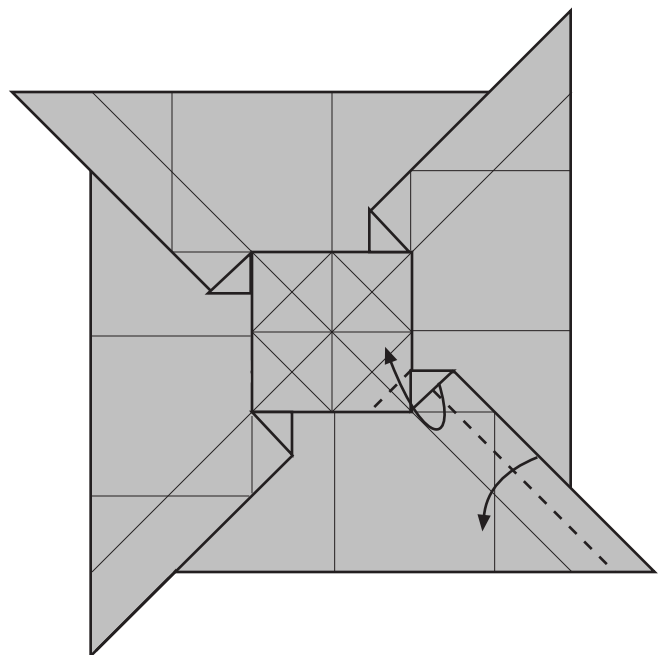
10] Collapse on existing creases.



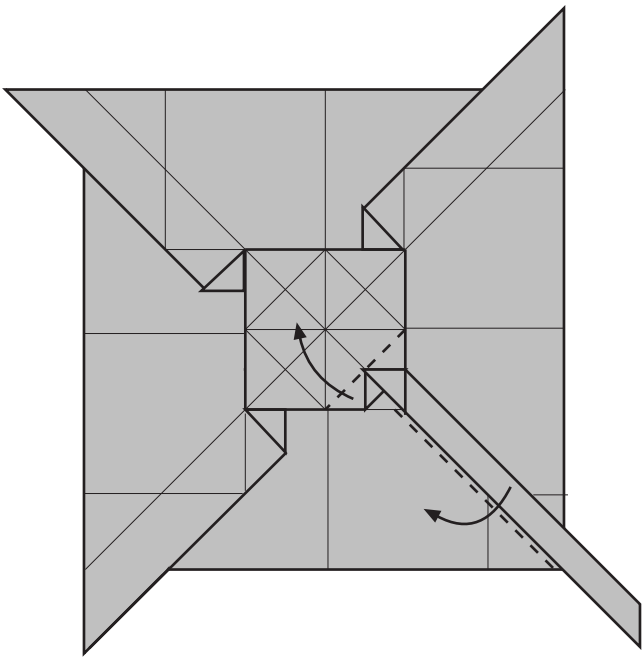
11] Valley over while reverse folding top.



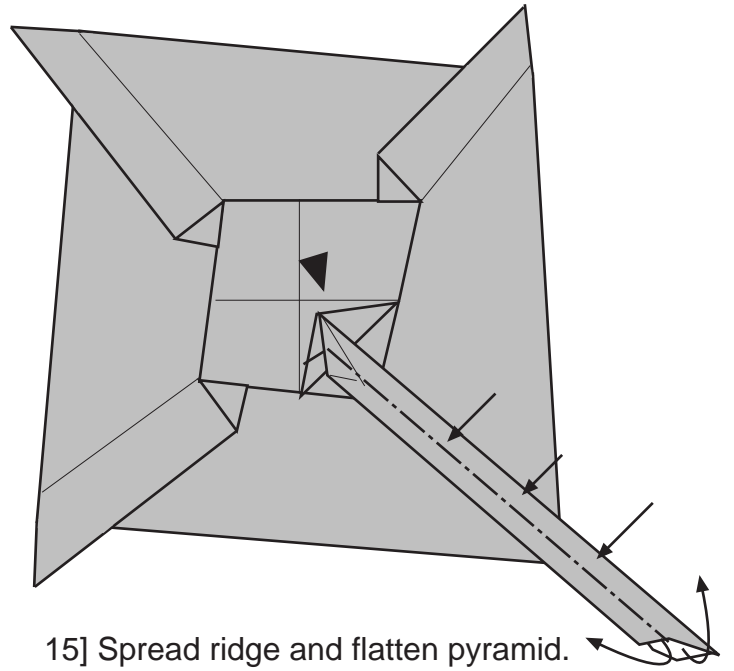
12] Repeat on other 3 ridges.



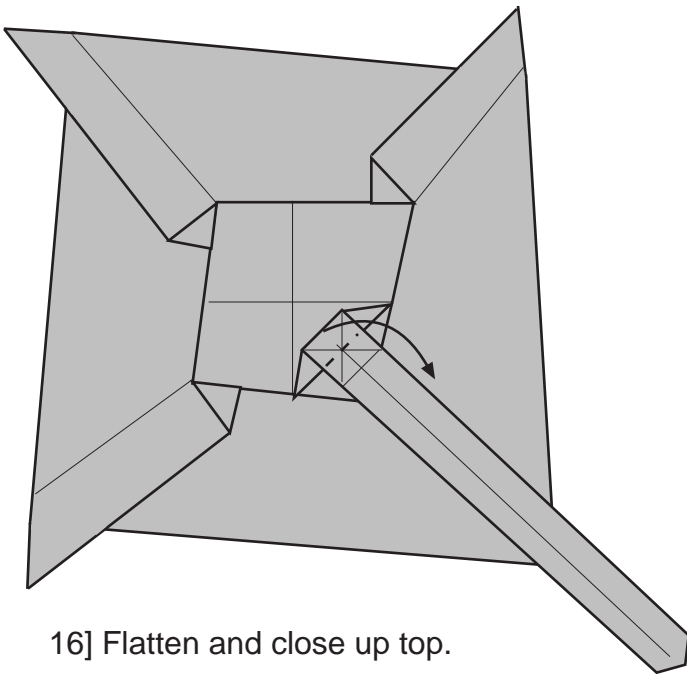
13] Similar to a petal fold. Fold flap in half while lifting top part.



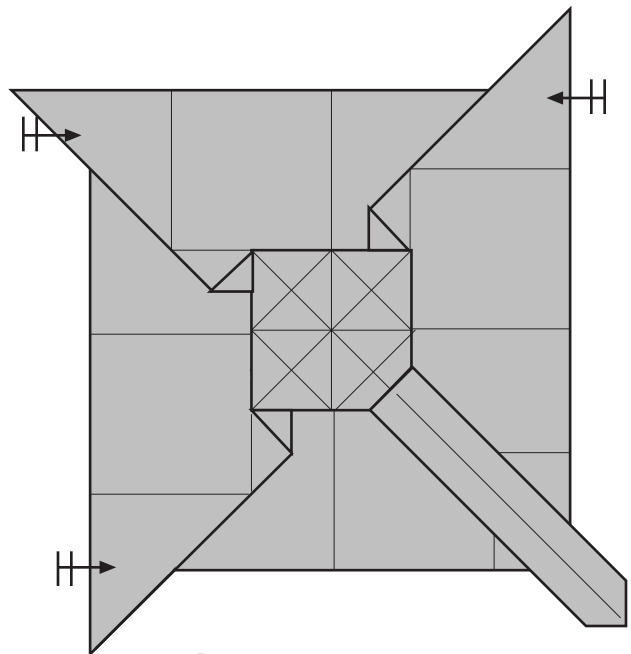
14] Stand up. Model will not lay flat.



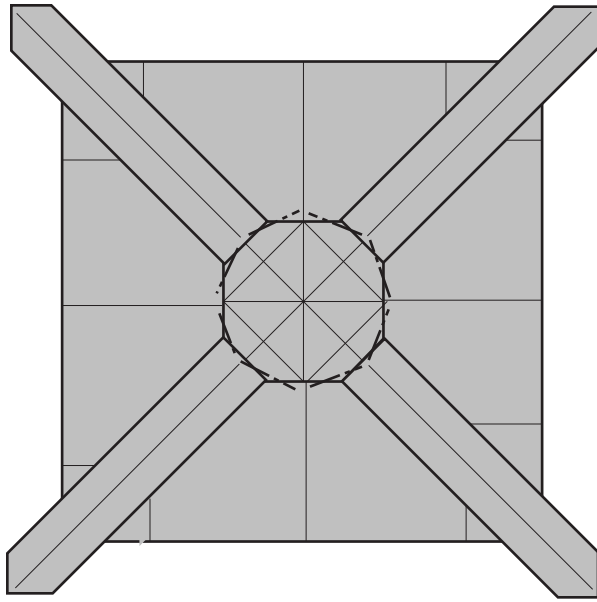
15] Spread ridge and flatten pyramid.



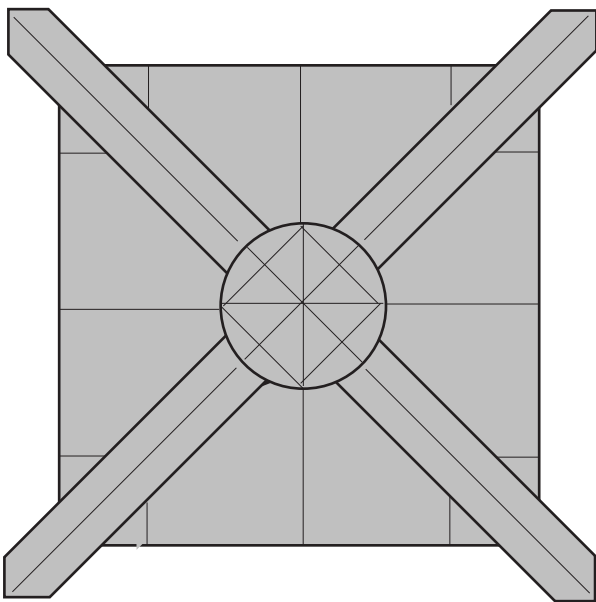
16] Flatten and close up top.



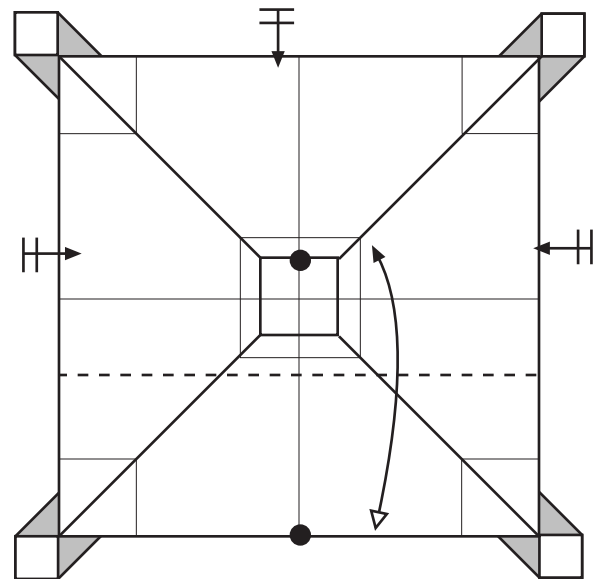
17] Repeat 3 more times.



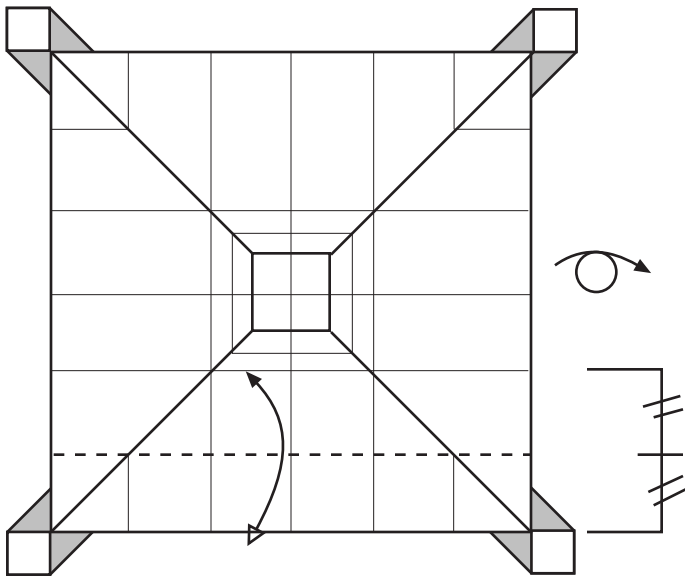
18] Round off speaker with 8 mountain folds.



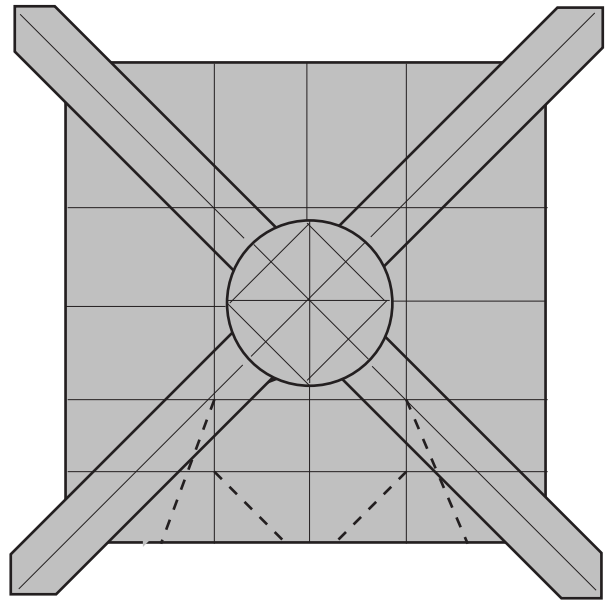
19] Looks like this. Flip over.



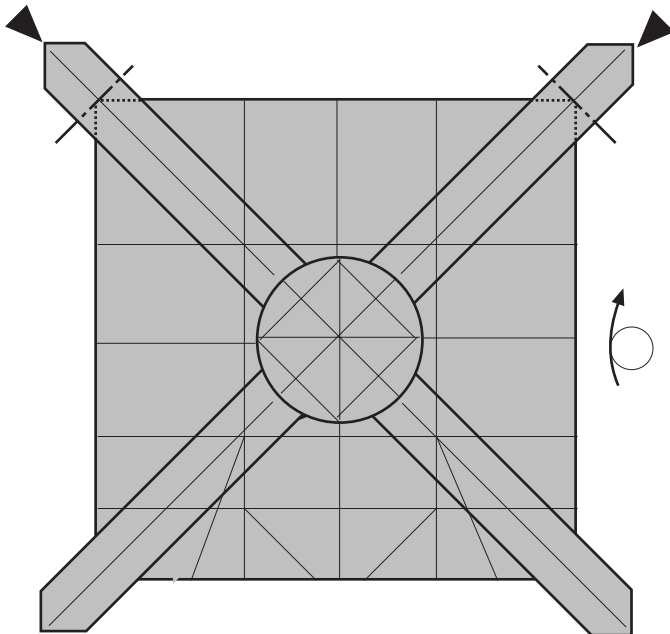
20] Crease raw edge to top of small inner square. Repeat on other 3 sides.



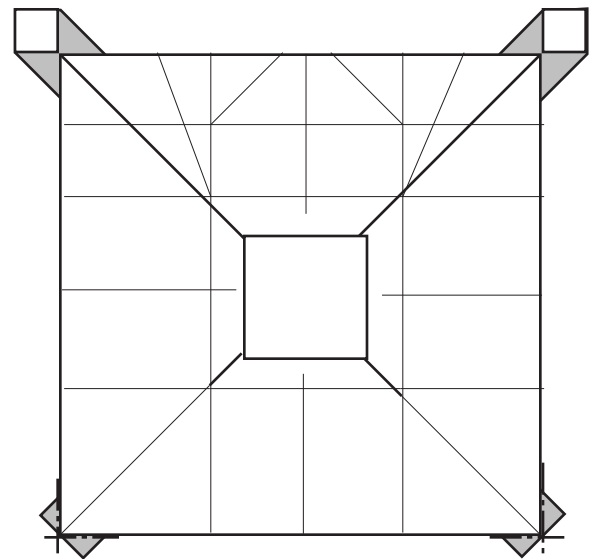
21] Fold raw edge to existing crease.  
DO NOT repeat. Flip over.



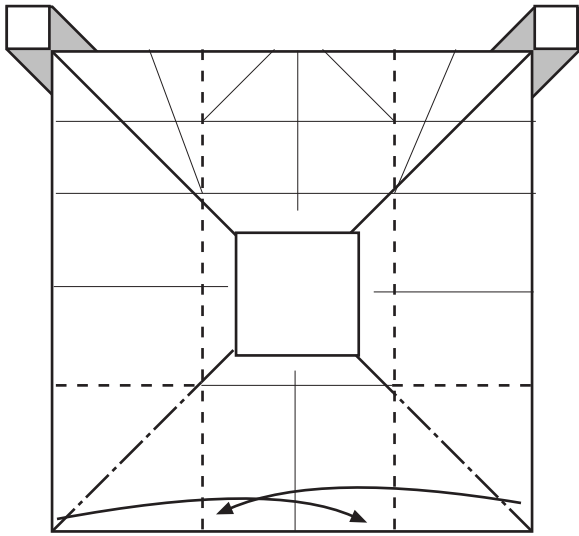
22] Add valley bisectors.



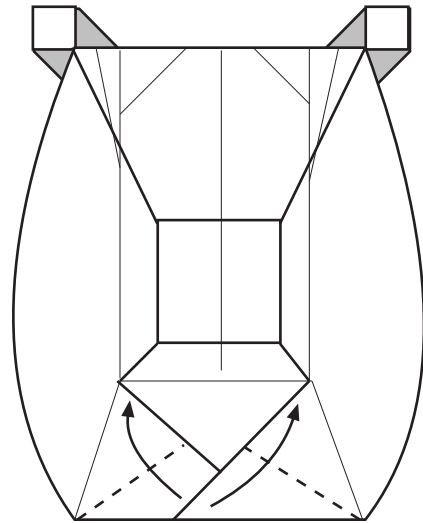
23] Sink top corners. (More of  
an inside reverse.) Flip over.



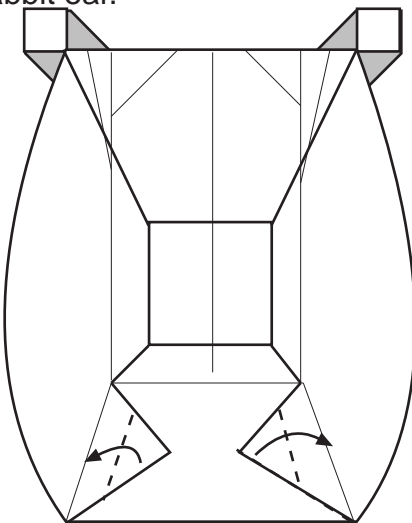
24] Reverse folds tiny corners.



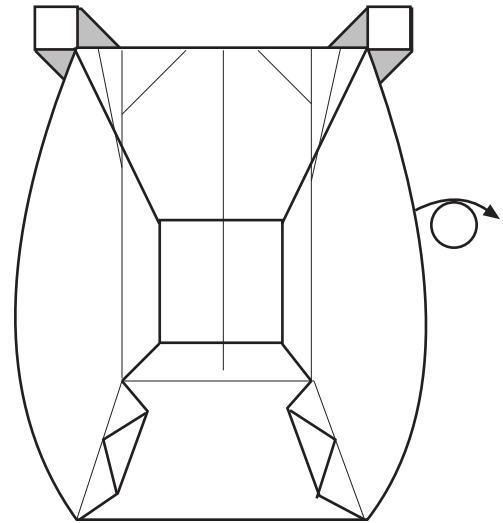
25] Collapse to a box on existing creases. The lower corners are similar to a rabbit ear.



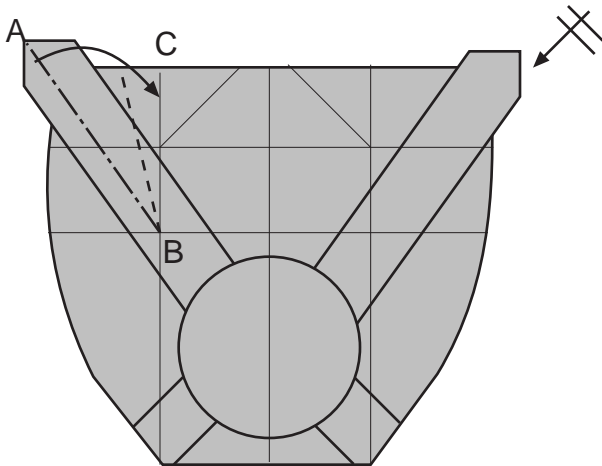
26] Fold up in half.



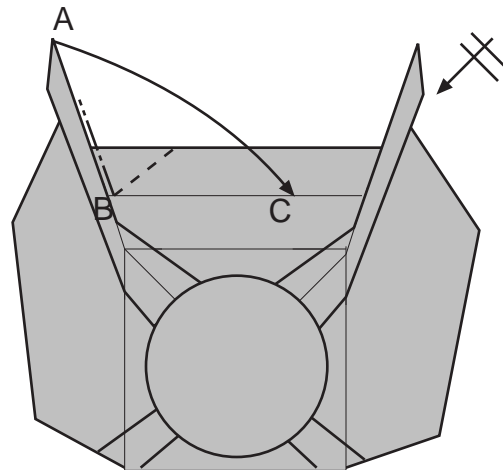
27] Fold over to lock bottom.



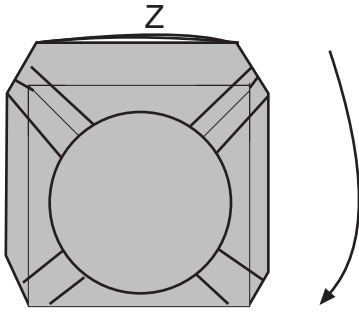
28] Like this. Flip over.



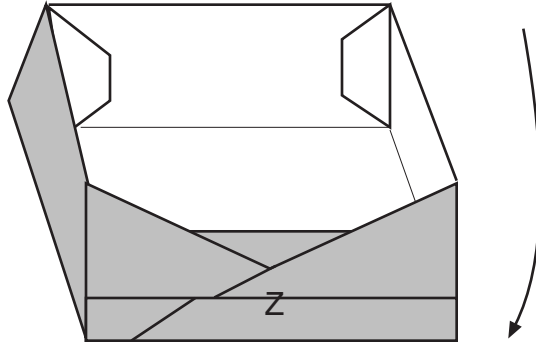
29] Rabbit ear on existing creases. This will straighten the side. Repeat on right.



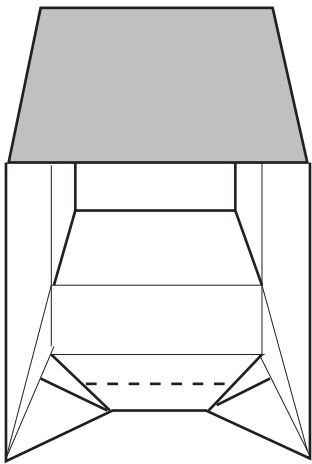
30] Swivel on existing creases so ridge AB lies on crease BC. Repeat on right.



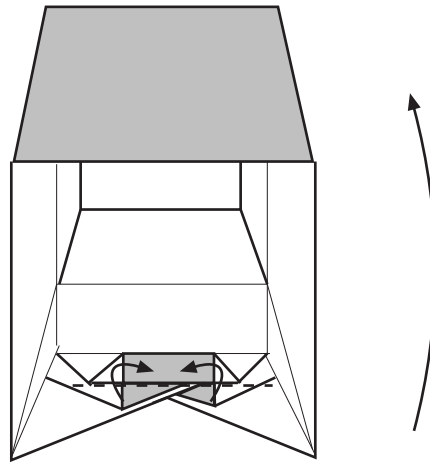
31] Like this. Tilt forward.  
Note position of point Z.



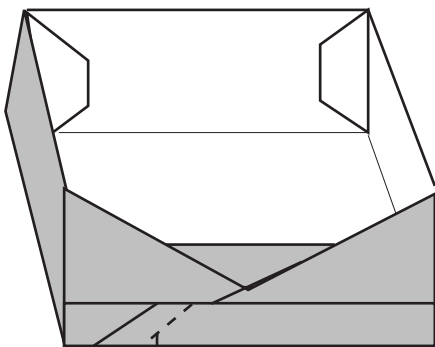
32] Note point Z. Tilt forward again.



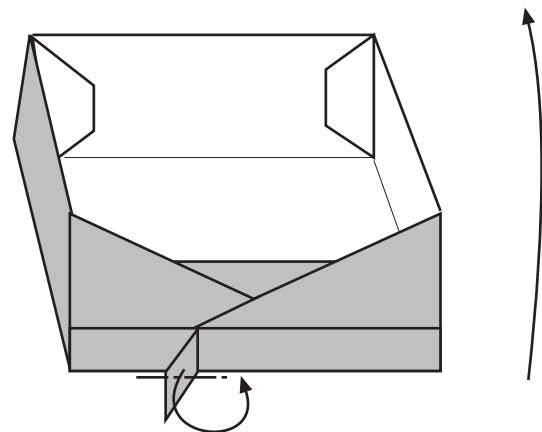
33] Fold flap in half.



34] Fold little flaps up to lock.  
Tilt back up.



35] Valley down.



36] Tuck between layers to lock.  
Tilt back up.

